

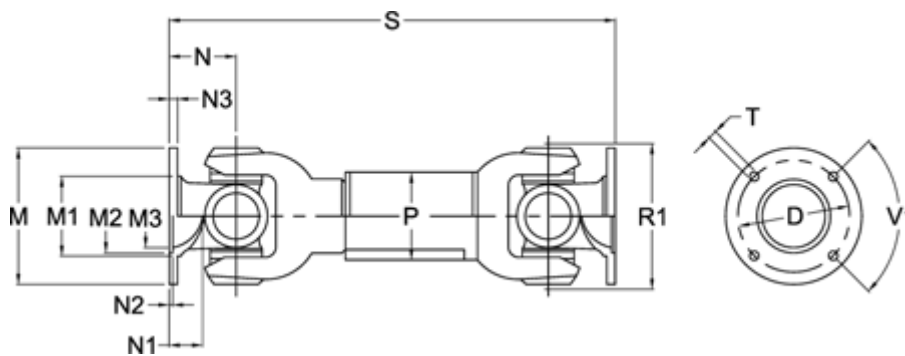
Data Sheet



Article number: 071121300360050

Description: Cardan drive shaft 0.112.130.002
S=360 X=50 Bore with keyway

Measures



| | | | | | |
|----------------------------|---------------|-----------------------|------------|------------|---------|
| D | = 101,5 +-0,1 | N1 | = 26 | T | = 8 B12 |
| Extension X | = 50 | N2 | = 2,5 +0,5 | V1 degrees | = 45 |
| Flange diameter M | = 120 | N3 | = 8 | | |
| M1 | = 80.5 | Number og Flangeholes | = 8 | | |
| M2 | = 75 | P | = 60x4 | | |
| M3 | = 69 | R1 | = 115 | | |
| Max. Bending Angle degrees | = 20 | S min | = 360 | | |
| N | = 60 | Spline dim. DIN 5480 | = 42x2x20 | | |